

DATASHEET

Name:
Type:
Designed by:

SHADOWS XL
Pendant Light
Lucie Koldova & Dan Yaffet



DESCRIPTION

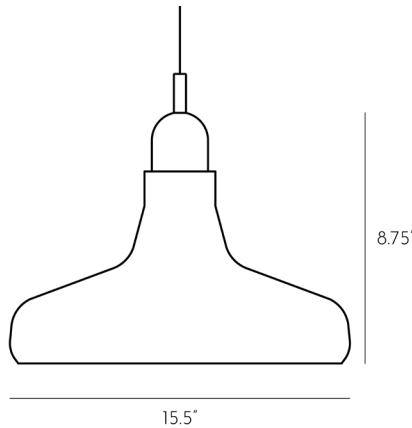
The combination of handblown glass, handcrafted wood, and classic shaping has given rise to a light of ageless elegance. The collection comprises four different suspension lights, as striking alone as they are in sets, characterized by a handblown glass shade set upon on a handcrafted wooden body.

TECH. DESCRIPTION

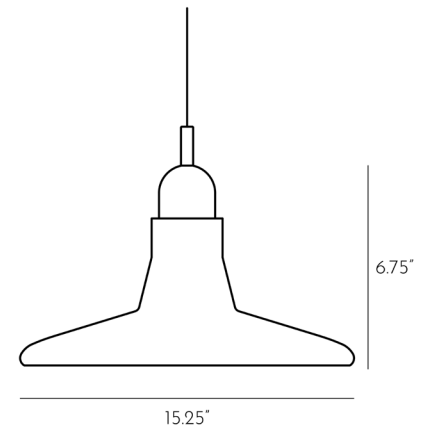
The light consists of five wooden bodies with connectors and E27 light source socket. It also includes lead cables with connectors, the glass shades, and a wood ceiling canopy.



CERTIFICATES



Product ID: PC911



Product ID: PC939

CONSTRUCTION SPECIFICATIONS

Weight: 2.9 kg
Construction material: Glass, metal, wood
Cord Length: 2,000 mm
Mounting: Ceiling
Environment: Indoor

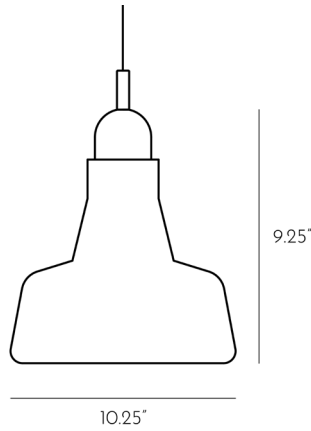
Weight: 2.9 kg
Construction material: Glass, metal, wood
Cord Length: 2,000 mm
Mounting: Ceiling
Environment: Indoor

ELECTRICAL SPECIFICATIONS

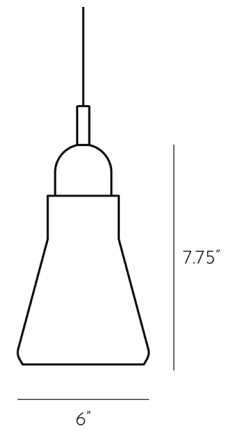
Input voltage [V]: 230 V
Frequency [Hz]: 50-60 Hz
Max. power [W]: 15 W
Coverage IP: 20
Socket: E27
Light source: -
Energy class: A+ to B depending on light source

Input voltage [V]: 230 V
Frequency [Hz]: 50-60 Hz
Max. power [W]: 15 W
Coverage IP: 20
Socket: E27
Light source: -
Energy class: A+ to B depending on light source





Product ID: PC940



Product ID: PC976

CONSTRUCTION SPECIFICATIONS

Weight: 2.9 kg
Construction material: Glass, metal, wood
Cord Length: 2,000 mm
Mounting: Ceiling
Environment: Indoor

Weight: 2.9 kg
Construction material: Glass, metal, wood
Cord Length: 2,000 mm
Mounting: Ceiling
Environment: Indoor

ELECTRICAL SPECIFICATIONS

Input voltage [V]: 230 V
Frequency [Hz]: 50-60 Hz
Max. power [W]: 15 W
Coverage IP: 20
Socket: E27
Light source: -
Energy class: A+ to B depending on light source

Input voltage [V]: 230 V
Frequency [Hz]: 50-60 Hz
Max. power [W]: 15 W
Coverage IP: 20
Socket: E27
Light source: -
Energy class: A+ to B depending on light source

LED SOURCE

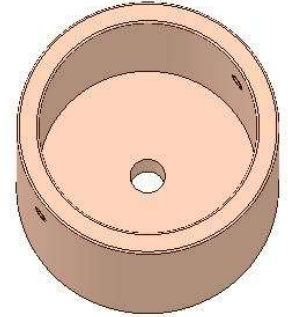
Socket	E27
Type	LED
Lamp wattage [W]	13 W
Input voltage [V]	220-240 VAC
Energy class	A+
Flux [lm]	700 lm
Light colour [K]	2700K
CRI	90+
Lifespan [h]	25,000 hr
Dimmable	yes
Dimensions h x w [mm]	95 x 63 mm



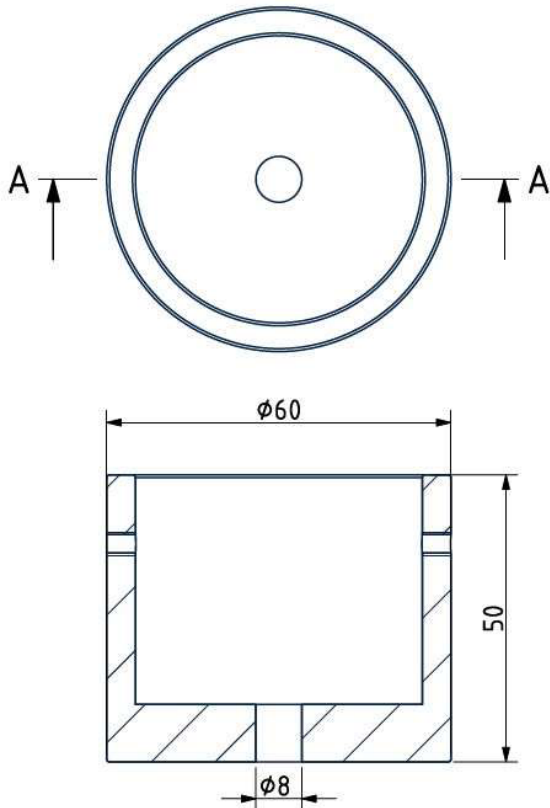
Product ID: CM1642

CEILING CANOPY

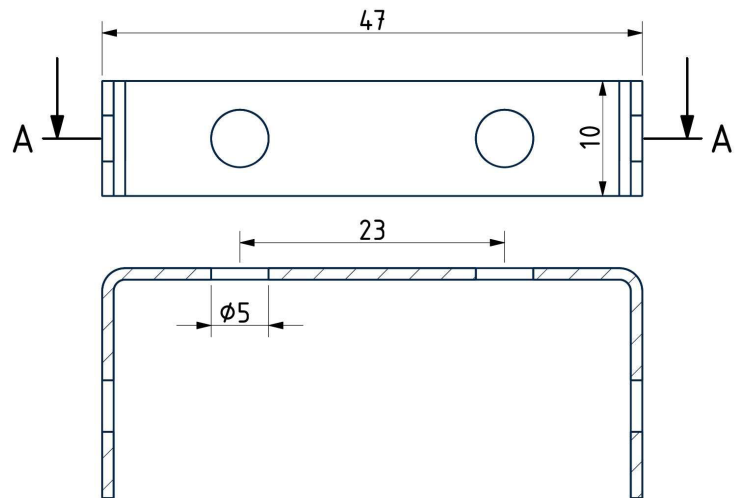
Dimensions \varnothing x w [in/mm]	2.35" x 2" / 60 x 50 mm
Weight [kg]	0.15 kg
Material	Wood



Drawing



Canopy bracket



PRODUCT OPTIONS

Glass Colour

Transparent glass	CGC23
Smoke grey - transparent glass	CGC516
Smoke brown - transparent glass	CGC538
Opaline - transparent glass	CGC38
Triplex opal	CGC39
Black - transparent glass	CGC602
Pearl grey - opaline glass	CGC1916

Glass Surface

Glossy Finish	CGSU66
Acid-etched outside surface	CGSU67

Body Finishes

European oak - untreated	CCS657
European oak - clear coat	CCS972
European oak - natural waxed	CCS518
European oak - stained black	CCS592
European oak - stained white	CCS680
American walnut - natural waxed	CCS757

Canopy Finishes

European oak - untreated	CCSC840
European oak - clear coat	CCSC976
European oak - natural waxed	CCSC841
European oak - stained black	CCSC839
European oak - stained white	CCSC838
American walnut - natural waxed	CCSC842

Connection method

Brokis connector	CCM1019
------------------	---------

Cable Colour

Textile cable - black	CECL519
Textile cable - white	CECL521
Textile cable - dark grey	CECL520
Textile cable - light grey	CECL1918
Textile cable - red	CECL530
Textile cable - yellow	CECL606

LED Source

230V, E27, 13W, 2700K, 700lm, RA90, 60°, DIM	CEB621
--	--------